

## SPLInsert™ Standing

(#35306/35406/35506/35324/35424/35524/36306/36406/36506/36324/36424/36524/37306/37406/37506/37324/37424/37524)

### 1. Descriptopm

SPLInsert™ products closely mimic *in vivo* environment, providing improved attachment, growth and differentiation of various cell types. With their permeable property, inserts are convenient and effective tool for diverse research areas such as transportation and invasion studies. Specially selected track-etched membranes of three different pore sizes (0.4, 3.0 and 8.0 μm) are used for SPLInsert™ products. Track-etched membranes ensure precise pore size distribution and consistent pore density, providing well-controlled experimental parameters.

**Polycarbonate (PC):** stain-free, low background interference

**Polyethylene terephthalate (PET):** high chemical resistance and low protein binding property

Applicable experiments: invasion, migration, transportation, drug uptake, epithelial polarization, chemotaxis, co-culture, toxicity study and *in vivo* barrier modeling

### 2. Features

- ❖ Distance from membrane to the bottom of the well: 6well Insert 0.91 mm, 24well Insert 0.85 mm
- ❖ Nominal membrane thickness: 10 ~ 23 μm
- ❖ Frame material: Polystyrene (PS)
- ❖ Packed in cell culture-treated cell culture plates

### 3. Functional Test

Sterility	:	Passed
Cytotoxicity	:	Passed
Non-Pyrogenic	:	Passed
RNase/DNase free	:	Passed
DNA free	:	Passed

#### 4. Product Range

Cat.No.	Type	Membrane	Membrane Pore Size (µm)	Membrane Diameter (mm)	Growth Area (cm <sup>2</sup> )	Working Volume (ml)	Optical Properties	Sterile	Packaging
35306	6 Inserts / 6 Well Plate	PC	0.40	22.74	4.06	2.00 ~ 6.00	Opaque	+	6 / 24
35406	6 Inserts / 6 Well Plate	PC	3.00	22.74	4.06	2.00 ~ 6.00	Translucent	+	6 / 24
35506	6 Inserts / 6 Well Plate	PC	8.00	22.74	4.06	2.00 ~ 6.00	Translucent	+	6 / 24
35324	12 Inserts / 24 Well Plate	PC	0.40	8.75	0.60	0.20 ~ 0.60	Opaque	+	12 / 48
35424	12 Inserts / 24 Well Plate	PC	3.00	8.75	0.60	0.20 ~ 0.60	Translucent	+	12 / 48
35524	12 Inserts / 24 Well Plate	PC	8.00	8.75	0.60	0.20 ~ 0.60	Translucent	+	12 / 48
36306	6 Inserts / 6 Well Plate	PET	0.40	22.74	4.06	2.00 ~ 6.00	Opaque	+	6 / 24
36406	6 Inserts / 6 Well Plate	PET	3.00	22.74	4.06	2.00 ~ 6.00	Translucent	+	6 / 24
36506	6 Inserts / 6 Well Plate	PET	8.00	22.74	4.06	2.00 ~ 6.00	Translucent	+	6 / 24
36324	12 Inserts / 24 Well Plate	PET	0.40	8.75	0.60	0.20 ~ 0.60	Opaque	+	12 / 48
36424	12 Inserts / 24 Well Plate	PET	3.00	8.75	0.60	0.20 ~ 0.60	Translucent	+	12 / 48
36524	12 Inserts / 24 Well Plate	PET	8.00	8.75	0.60	0.20 ~ 0.60	Translucent	+	12 / 48
37306	6 Inserts / 6 Well Plate	PET	0.40	22.74	4.06	2.00 ~ 6.00	Transparent	+	6 / 24
37406	6 Inserts / 6 Well Plate	PET	3.00	22.74	4.06	2.00 ~ 6.00	Transparent	+	6 / 24
37506	6 Inserts / 6 Well Plate	PET	8.00	22.74	4.06	2.00 ~ 6.00	Transparent	+	6 / 24
37324	12 Inserts / 24 Well Plate	PET	0.40	8.75	0.60	0.20 ~ 0.60	Transparent	+	12 / 48
37424	12 Inserts / 24 Well Plate	PET	3.00	8.75	0.60	0.20 ~ 0.60	Transparent	+	12 / 48
37524	12 Inserts / 24 Well Plate	PET	8.00	8.75	0.60	0.20 ~ 0.60	Transparent	+	12 / 48

#### 5. Certification

SPL Life Sciences hereby certifies that the product identified above, inspected to be in compliance with product quality specification and requirements as documented in our ISO 9001:2008 Quality Management System (K-QA-Q031478) in Korea.

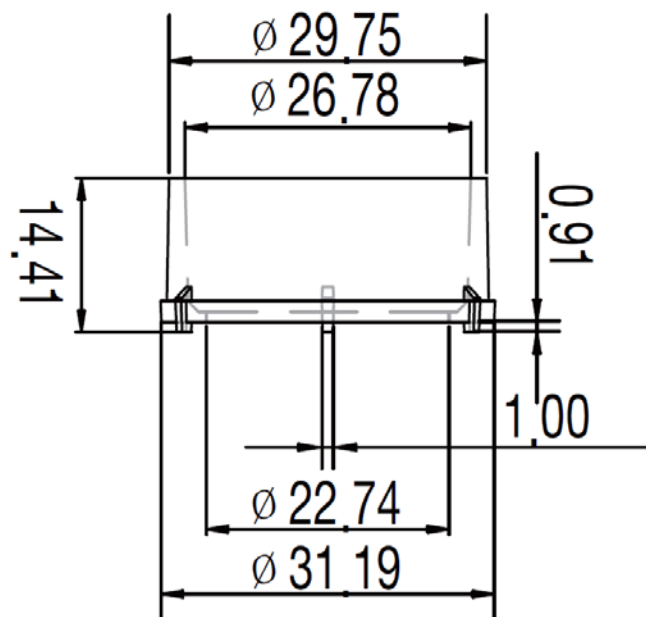
## 6. Specifications & Technical Drawing

(1) Cell Culture Insert 6 well type (#35306/35406/35506/36306/36406/36506/37306/37406/37506)

- Specifications

Membrane		Dimensions		Material (Resin)	Packaging
		Frame			
		Upper	Lower		
Diameter:	22.74 mm	Diameter <sub>Outer</sub> :	29.75 mm	<ul style="list-style-type: none"> <li>Membrane: Polycarbonate (PC) or Polyethylene terephthalate (PET)</li> </ul>	<ul style="list-style-type: none"> <li>Pieces/Sleeve: 6</li> <li>Pieces/Case: 24</li> </ul>
Thickness:	10 ~ 23 $\mu$ m	Diameter <sub>Inner</sub> :	26.78 mm		
Pore Size:	0.4, 3.0, 8.0 $\mu$ m			Diameter <sub>Inner</sub> :	22.74 mm
Height:		14.41 mm		<ul style="list-style-type: none"> <li>Frame: Polystyrene (PS)</li> </ul>	
Growth Area:		4.06 cm <sup>2</sup>			
Working Volume per Insert:		2.00 ~ 6.00 ml			

- Technical Drawing

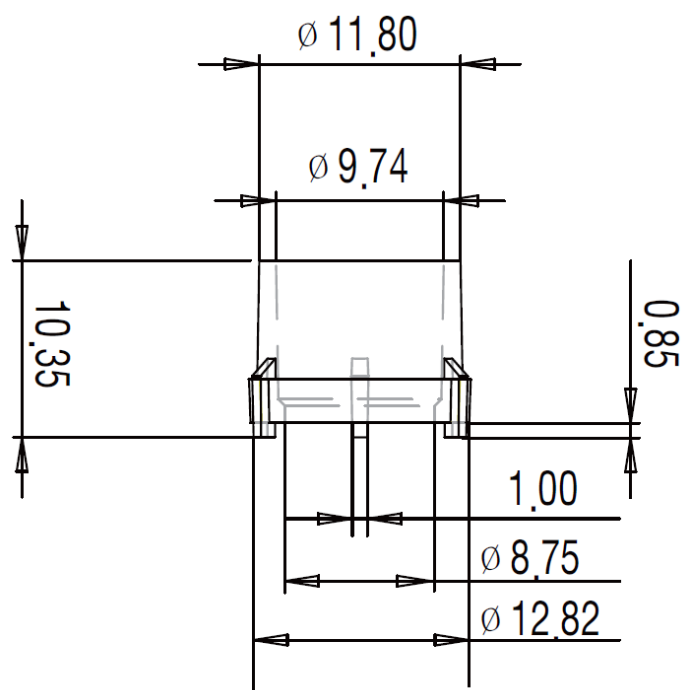


## (2) Cell Culture Insert 24 well type (#35324/35424/35524/36324/36424/36524/37324/37424/37524)

## - Specifications

Membrane	Dimensions		Material (Resin)	Packaging
	Frame			
	Upper	Lower		
Diameter: 8.75 mm Thickness: 10 ~ 23 $\mu\text{m}$ Pore Size: 0.4, 3.0, 8.0 $\mu\text{m}$	Diameter <sub>Outer</sub> : 11.80 mm Diameter <sub>Inner</sub> : 9.74 mm	Diameter <sub>Outer</sub> : 12.82 mm Diameter <sub>Inner</sub> : 8.75 mm	<ul style="list-style-type: none"> <li>Membrane: Polycarbonate (PC) or Polyethylene terephthalate (PET)</li> <li>Frame: Polystyrene (PS)</li> </ul>	<ul style="list-style-type: none"> <li>Pieces/Sleeve: 12</li> <li>Pieces/Case: 48</li> </ul>
Height: 10.35 mm Growth Area: 0.60 $\text{cm}^2$ Working Volume per Insert: 0.20 ~ 0.60 ml				

## - Technical Drawing



[www.spllifesciences.com](http://www.spllifesciences.com)

For technical assistance, contact SPL R&D Center at:

Tel: +82-31-533-4800; Fax: +82-31-533-1430; e-mail: [spl@ispl.co.kr](mailto:spl@ispl.co.kr)

To place an order, contact your local distributor or

Tel: +82-31-533-4800; Fax: +82-31-533-1430; e-mail: [business@ispl.co.kr](mailto:business@ispl.co.kr)

SPL-TDS-CCIS

For Research Use Only. Not intended for use in diagnostic or therapeutic procedures.  
 © SPL Life Sciences Co., Ltd., Version 2, JUNE 27<sup>th</sup>, 2016